



moduline

item # .....  
model # .....  
project # .....  
sis # .....  
aia # .....



## COOK&HOLD CHC282E

Static low temperature  
oven

### CONSTRUCTION FEATURES

- Two separately controlled compartments with radiused corners
- Total thermic insulation with rock or glass wool
- Long lasting frontal seals made up of food grade of high heat resistance
- Static heating provided by low consumption wire heating element that coils up all the chamber
- Snap-shut door
- Mounted on four 150mm diameter castors, two of which with brake
- All-around rubber bumpers
- Tightness cavity with radiused corners, built-in drip tray and drainage system

### FUNCTIONAL FEATURES

- Electronic control panel of temperature, time, core probe and  $\Delta t$  with LCD touch-screen
- Operating temperature 30°C ÷ 160°C
- End-of-cycle buzzer
- Chamber with safety thermostat
- Internal drain for easy cleaning
- Condensation drain tray
- Delayed start timer

### STANDARD SUPPLY

- Multipoint core probe with the possibility to register 30 different temperatures and save them in the HACCP report (available only with USB port device)
- Glazed doors plus lighting
- Removable GN2/1 and GN1/1 tray racks
- USB port saving device HACCP

### OPTIONS & ACCESSORIES

- Opposite side opening
- Grids
- Trays


**MODULINESRL**


Via dell'Industria 11, Z.I. San Giacomo di Veglia 31029 Vittorio Veneto (TV) - ITALY  
tel. +39 0438 5063 - fax +39 0438 912 323 - info@moduline.it - www.moduline.it



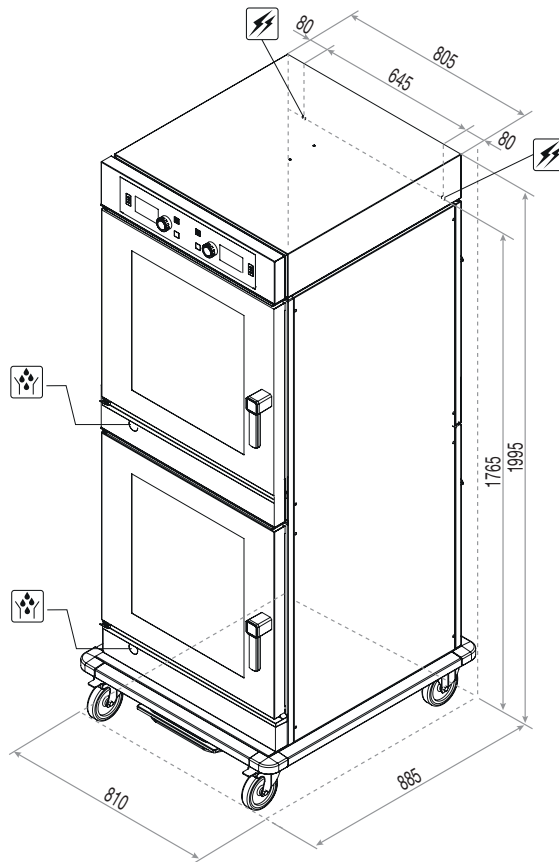
# moduline

## TECHNICAL INSTALLATION DIAGRAM

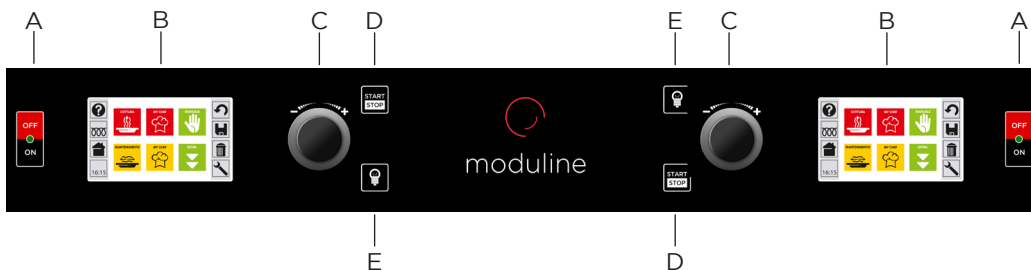
Electricity supply  
cable inlet 

Chamber drain 

**Important** - Drawing and dimensions refer to the standard version. They may change with the addition of accessories or options.



<b>Overall dimensions</b> (W x D x H) - mm	810 x 885 x 1995h
<b>Power supply</b>	AC 230V 50/60 Hz
<b>Total input</b> [Kw]	2,8 + 2,8 (230V)
<b>Amps.</b> [A]	12,2 + 12,2 (230V)
<b>Working temperature</b> [°C]	30 ÷ 160
<b>Containers capacity</b> - distance [mm]	8 + 8 x GN 2/1 - (75) 16 + 16 x GN 1/1 - (75)
<b>Product max capacity</b> [Kg]	55 + 55
<b>Net weight</b> [Kg]	164



- A ON/OFF switch
- B Display Touch Screen
- C Setting knob and select "ENTER"
- D "START/STOP" button
- E Chamber light button

**MODULINESRL**

Via dell'Industria 11, Z.I. San Giacomo di Veglia 31029 Vittorio Veneto (TV) - ITALY  
tel. +39 0438 5063 - fax +39 0438 912 323 - info@moduline.it - www.moduline.it