



GRILL SEH003E

Ultra-rapid
Salamandra

CONSTRUCTION FEATURES

- Stainless steel construction
- Adjustable upper plate to have the heating surface closer to the food
- Ultra rapid and high-performance heating elements
- Safety thermostat to avoid overheating
- Steel grill and drip tray to collect cooking juices, simple to remove to facilitate cleaning

FUNCTIONAL FEATURES

- Electronic controls with digital display protected by a polycarbonate panel
- Possibility of selecting the cooking zone, activating 1 or 3 heating elements
- Encoder to adjust cooking time up to 20'
- Warm holding function after the cooking cycle has finished, to be set during programming separately
- Plate detection system for automatic switching on or off
- (3) heating elements housed in a special ceramic dish

OPTIONS & ACCESSORIES

- Trays
- Adjustable feet
- Stand with side racks GN1/1

MODULINESRL

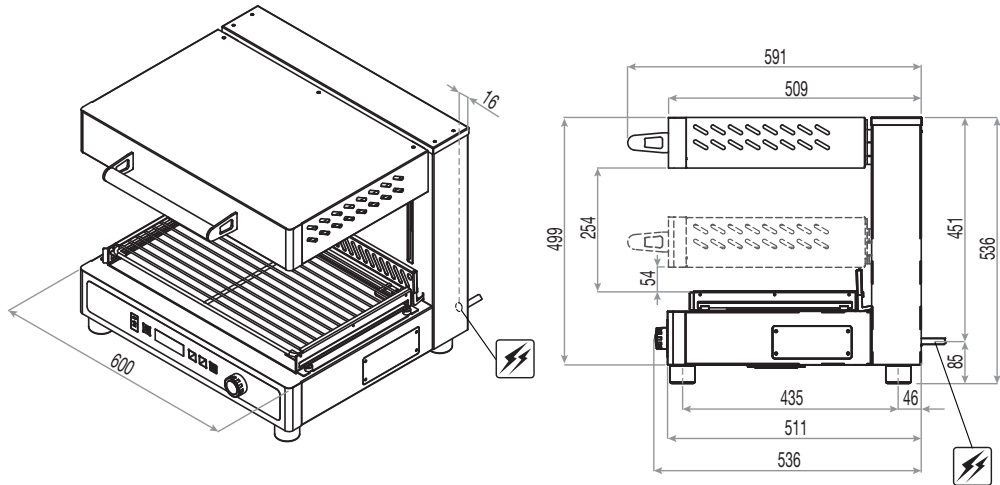
Via dell'Industria 11, Z.I. San Giacomo di Veglia 31029 Vittorio Veneto (TV) - ITALY
 tel. +39 0438 5063 - fax +39 0438 912 323 - info@moduline.it - www.moduline.it



moduline

TECHNICAL INSTALLATION DIAGRAM

Electricity supply
cable inlet



Overall dimensions
(W x D x H) - mm

600 x 593 x 538h

Cooking plate

1 GN 1/1

Upper heating
plate [mm]

490 x 260
(3 heating elements)

Net weight
[Kg]

54,5

Power supply

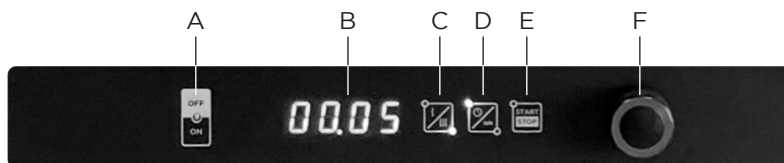
380-415V 3N 50/60Hz

Total input
[kW]

4,6 (400V)

Amps.
[A]

6,7 (400V)



- A ON/OFF switch
- B Display
- C Selection of upper heating elements
- D Cooking / Warm holding
- E START/STOP button
- F Knob

MODULINESRL

Via dell'Industria 11, Z.I. San Giacomo di Veglia 31029 Vittorio Veneto (TV) - ITALY
tel. +39 0438 5063 - fax +39 0438 912 323 - info@moduline.it - www.moduline.it