

item # .....  
model # .....  
project # .....  
sis # .....  
aia # .....



## GRILL SEH004E

Ultra-rapid  
Salamandra

### CONSTRUCTION FEATURES

- Stainless steel construction
- Adjustable upper plate to have the heating surface closer to the food
- Ultra rapid and high-performance heating elements
- Safety thermostat to avoid overheating
- Steel grill and drip tray to collect cooking juices, simple to remove to facilitate cleaning

### FUNCTIONAL FEATURES

- Electronic controls with digital display protected by a polycarbonate panel
- Possibility of selecting the cooking zone, activating 2 or 4 heating elements
- Encoder to adjust cooking time up to 20'
- Warm holding function after the cooking cycle has finished, to be set during programming separately
- Plate detection system for automatic switching on or off
- (4) heating elements housed in a special ceramic dish

### OPTIONS & ACCESSORIES

- Trays
- Adjustable feet
- Stand with side racks GN1/1

**MODULINESRL**

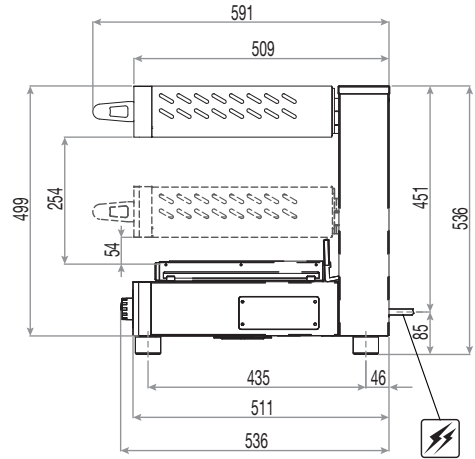
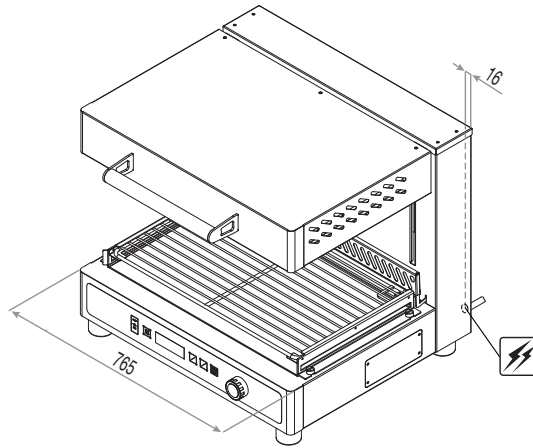
Via dell'Industria 11, Z.I. San Giacomo di Veglia 31029 Vittorio Veneto (TV) - ITALY  
tel. +39 0438 5063 - fax +39 0438 912 323 - info@moduline.it - www.moduline.it



# moduline

## TECHNICAL INSTALLATION DIAGRAM

Electricity supply  
cable inlet



Overall dimensions  
(W x D x H) - mm

765 x 593 x 538h

Cooking plate

1 GN 1/1 + 1 GN 1/3

Upper heating  
plate [mm]

655 x 260  
(4 heating elements)

Net weight  
[Kg]

65

Power supply

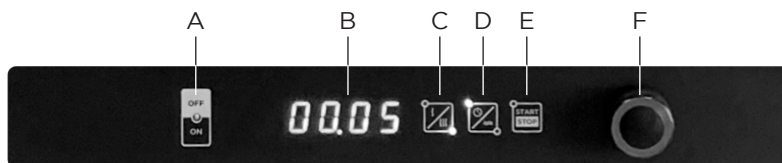
380-415V 3N 50/60Hz

Total input  
[kW]

6,1 (400V)

Amps.  
[A]

13,1 (400V)



- A ON/OFF switch
- B Display
- C Selection of upper heating elements
- D Cooking / Warm holding
- E START/STOP button
- F Knob

**MODULINESRL**

Via dell'Industria 11, Z.I. San Giacomo di Veglia 31029 Vittorio Veneto (TV) - ITALY  
tel. +39 0438 5063 - fax +39 0438 912 323 - info@moduline.it - www.moduline.it